



### General Features

Description: ceiling / wall / ground-mounted LED product

Insulation class: class III

Rated voltage: 24Vdc

Protection Grade: IP67

Impact protection: IK08

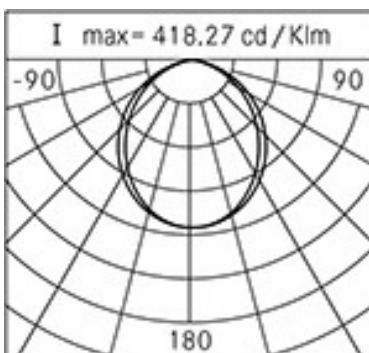
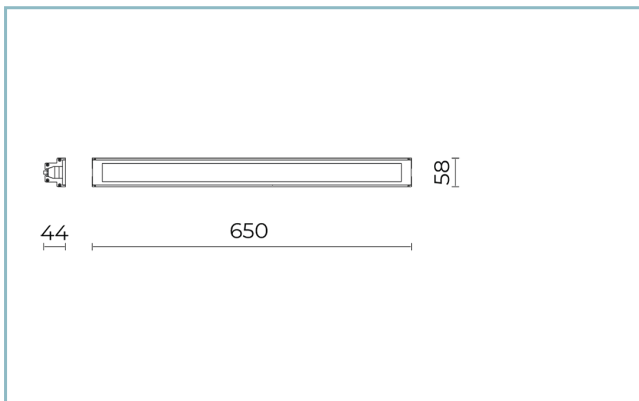
Power Factor: > 0.90

Ambient temperature Ta: -10°C +45°C

Weight: 3.00 kg

Driver: remote (to be ordered separately)

Marks and Certifications: ENEC / CE



### Performance Data\*

Source flux:	1355 lm
Source power:	7.2 W
Source efficiency:	188 lm/W
Device flux:	800 lm
Device power:	7.2 W
Appliance efficiency:	111 lm/W
Glare Index Category:	D6

---

### Optical System

Source: LED

Color Temperature: 4000 K

Color Rendering Index (CRI):  $\geq 80$

Chromatic consistency (SDCM):  $\leq 3$

Type of optics: ultra-wide beam 80°/100°

Optical group life: >60.000h @Ta25°C L80B10

Light intensity category: G\*6

### Normative References

EN60598-1 / EN60598-2-1 / EN60598-2-2 / EN62471

### Installation and maintenance

Installation: ceiling / wall / ground (outside or recessed)

Fixing: recessed housing (wall / ground recessed);  
adjustable brackets / junction box / junction box with  
adjustable brackets / ceiling-mounted bracket /  
suspension kit (for outdoor installation)

Wiring: pre-wiring with cable L=1500 mm

Ø power cable: bipolar cable 2x0.5 mm<sup>2</sup> and related  
connector (included)

### Flow adjustment

On request

Adjusting 1-10V

X

DALI control

X

### Materials

Body: extrusion and further anodization

Diffuser: transparent flat glass (walkable version up to 1000  
kg)

Lenses: highly transparent technopolymer lenses

Fixing system: closing heads and fastening accessories  
made of die-cast aluminium alloy UNI EN AB 47100  
(copper content < 1%)

Seals: extruded anti-age silicone

Screws: stainless steel AISI 304

### Colors

■ natural anodized  
aluminium

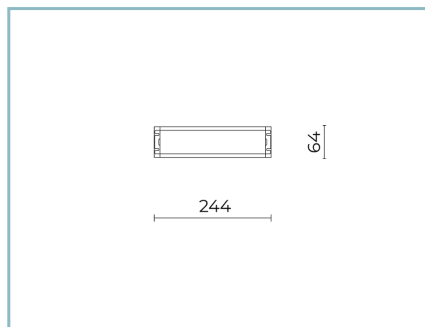
Code: **06TR2D6303J**

## Complements



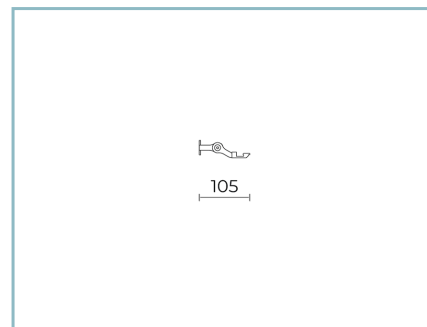
06TA902X0

Driver  
60W-24V IP66



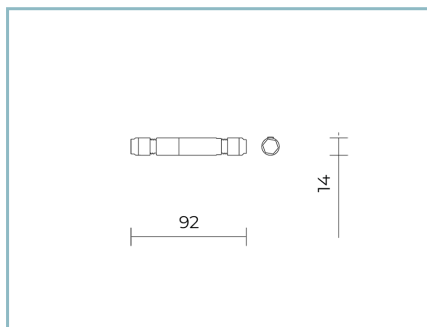
06LL915AB0

Driver  
240W-24V IP67



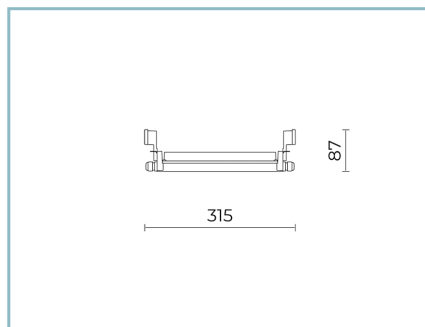
06TR997A0

Wall-mounted fixing brackets kit.  
Colour: grey RAL9006.



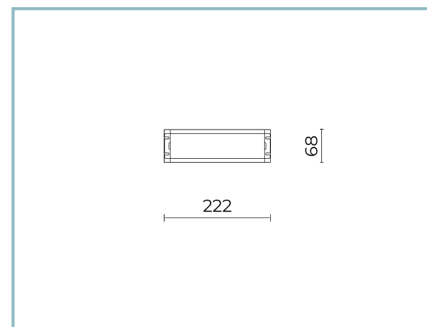
06GC902X0

B165 2-pole connector IP68



06OT988A0

Wired box TRAIL 650  
for wall or ceiling attachment IP65.  
Colour: grey RAL9006.



06LL914AB0

DALI driver  
150W-24V IP67

## NOTES

### \*Performance data

The values indicated in this data sheet are nominal values with a tolerance of +/-7%.

Source flux and source efficiency data refer to the LED module without optics; in case you are interested in the performance of the LED module complete with optical system, you must multiply the data reported by the factor 0.9.

### General Data

The characteristics of the product listed may be subject to change and must be confirmed when ordering.

In order to promote constant updating of its products, Cariboni Group reserves the right to make changes without prior notice.