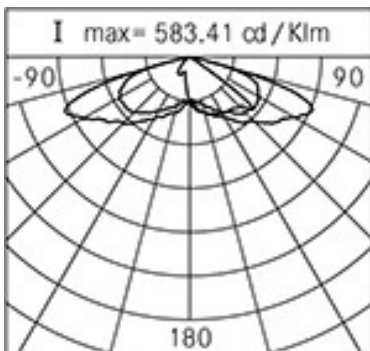
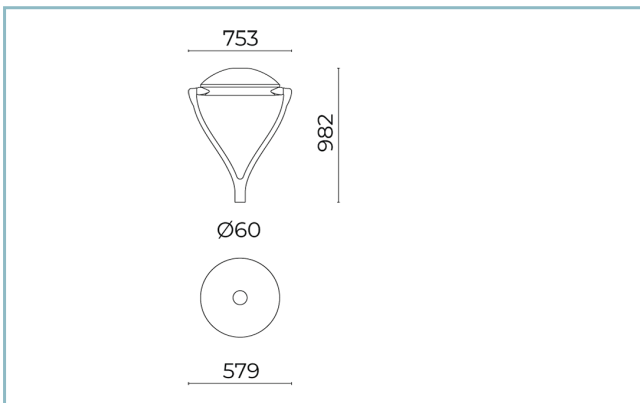




### General Features

|  |
|--|
| Description: urban and public lighting luminaire   |
| Insulation class: class II   |
| Rated voltage: 220-240 V 50/60 Hz  |
| Protection Grade: IP66   |
| Impact protection: IK08  |
| Surge protection device: integrated 10kV-10kA, Type 3, equipped with LED signaling and thermofusible for disconnection at the end of life; impulse withstand CL II 10kV DM |
| Power Factor: > 0.9  |
| Ambient temperature Ta: -30°C +50°C  |
| Weight: 16.00 kg   |
| Max exposed surface: 0,25 m <sup>2</sup>   |
| Lateral exposed surface: 0,14 m <sup>2</sup>   |
| Common mode surge protection: 10 kV  |
| Overtoltage protection differential mode: 10 kV  |
| Driver: included   |
| Marks and Certifications: CE   |



### Performance Data\*

|                       |          |
|-----------------------|----------|
| LED Current:          | 525 mA   |
| Source flux:          | 9710 lm  |
| Source power:         | 53 W     |
| Source efficiency:    | 183 lm/W |
| Device flux:          | 7980 lm  |
| Device power:         | 58.5 W   |
| Appliance efficiency: | 136 lm/W |
| Glare Index Category: | D4       |

### Optical System

|   |
|---|
| Source: LED R3  |
| Color Temperature: 4000 K   |
| Color Rendering Index (CRI): $\geq 70$  |
| Chromatic consistency (SDCM): $\leq 4$  |
| Type of optics: LA-01 Wide street   |
| Optical group life: >130.000h @700mA @Ta25°C TM21 L80B20 >130.000h @700mA @Ta25°C TM21 L80B10 |
| Photobiological safety class: EXEMPT GROUP  |
| ULOR: 0%  |
| DLOR: 100%  |
| Light intensity category: G*3   |
| BUG rating: B2-U0-G1  |

### Normative References

EN60598-1 / EN60598-2-3 / EN62471

### Installation and maintenance

|  |
|--|
| Installation: post top, pole side  |
| Pole diameter: $\varnothing$ 60 - 76 mm  |
| Tilt: fastened or adjustable installation  |
| Fixing: 2 x AISI 304 stainless steel securing bolts  |
| Wiring: Junction box IP68. The connection to the electrical backbone can be made without having to open the device |
| $\varnothing$ power cable: 10 ÷ 14 mm  |
| Cable Gland: PG16  |
| Replaceable wiring plate: removable plate  |
| Replaceable optical unit: each LED module is replaceable   |
| Screen opening: glass holder frame opening, fall block   |
| Disconnecter: automatic (with terminal section 2.5 mm <sup>2</sup> )   |

### Flow adjustment

|                                 | On request |
|---------------------------------|------------|
| Virtual Midnight Teaching       | X          |
| Constant flow output (CLO)      | X          |
| Adjusting 1-10V                 | X          |
| DALI control                    | X          |
| Mains voltage variation         | X          |
| Power line telemanagement (PLC) | X          |
| Wireless remote management      | X          |

### Materials

|   |
|---|
| Body: die-cast aluminium alloy UNI EN AB 47100 (copper content < 1%), upper dome with aluminium plate turning |
| Screen: tempered flat glass   |
| Lenses: high-transparency PMMA  |
| Fixing system: die-cast aluminium alloy UNI EN AB 47100 (copper content < 1%)                                 |
| Seals: expanded anti-age silicone foam  |
| Screws: stainless steel AISI 304  |
| Wiring plate: zinc-plated steel   |
| Finish: phospho-chromatation treated and polyester powder-coated in 16 phases to increase weather resistance  |

### Colors

|                  |                              |
|------------------|------------------------------|
| ■ Sablé 100 Noir | Code: <b>01FY3D65031CHM4</b> |
|------------------|------------------------------|

## Optional accessories



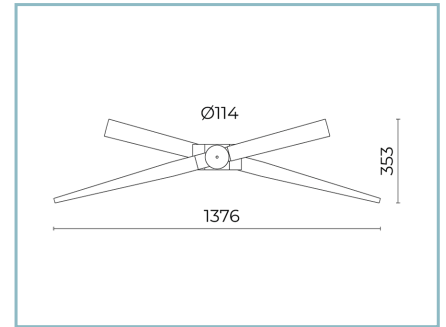
01AY901C0

L6 Joint kit for  $\varnothing 102$ mm pole with  $\varnothing 60$  mm bolt, inclined by  $15^\circ$ .  
Colour: Sablé 100 Noir.



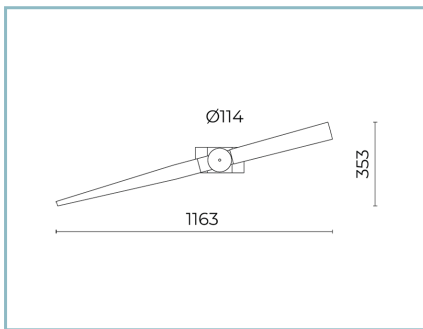
01AY902C0

B25 Hexagon for poles  $\varnothing 114$  mm,  $15^\circ$  inclined arm with decorative metal point. Colour: Sablé 100 Noir.



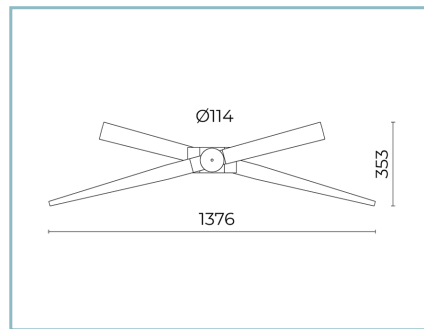
01AY905C0

B27 Hexagon for poles  $\varnothing 114$  mm,  $15^\circ$  inclined double arms with decorative metal point. Colour: Sablé 100 Noir.



01AY902C0

B25 Single arm with a  $15^\circ$  inclination, a pointed rod and a hexagonal connector for poles  $\varnothing 114$  mm. Colour: Sablé 100 Noir.



01AY905C0

B27 Double arm with a  $15^\circ$  inclination, a pointed rod and a hexagonal connector for poles  $\varnothing 114$  mm. Colour: Sablé 100 Noir.

## NOTES

### \*Performance data

The values indicated in this data sheet are nominal values with a tolerance of  $\pm 7\%$ .

Source flux and source efficiency data refer to the LED module without optics; in case you are interested in the performance of the LED module complete with optical system, you must multiply the data reported by the factor 0.9.

### General Data

The characteristics of the product listed may be subject to change and must be confirmed when ordering.

In order to promote constant updating of its products, Cariboni Group reserves the right to make changes without prior notice.