



General Features

Description: urban and public lighting luminaire

Insulation class: class II

Rated voltage: 220-240 V 50/60 Hz

Protection Grade: IP66

Impact protection: IK08

Surge protection device: integrated 10kV-10kA, Type 3, equipped with LED signaling and thermofusible for disconnection at the end of life; impulse withstand CL II 10kV DM

Power Factor: > 0.9

Ambient temperature Ta: -30°C +50°C

Weight: 16.00 kg

Max exposed surface: 0,25 m²

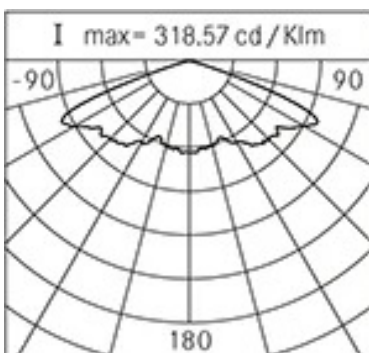
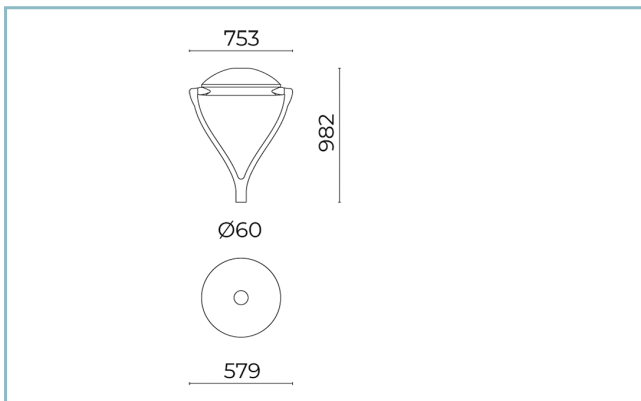
Lateral exposed surface: 0,14 m²

Common mode surge protection: 10 kV

Overtoltage protection differential mode: 10 kV

Driver: included

Marks and Certifications: CE



Performance Data*

| | |
|-----------------------|----------|
| LED Current: | 525 mA |
| Source flux: | 3325 lm |
| Source power: | 17.5 W |
| Source efficiency: | 190 lm/W |
| Device flux: | 2860 lm |
| Device power: | 20 W |
| Appliance efficiency: | 143 lm/W |
| Glare Index Category: | D6 |

Optical System

| |
|---|
| Source: LED R1 |
| Color Temperature: 4000 K |
| Color Rendering Index (CRI): ≥ 70 |
| Chromatic consistency (SDCM): ≤ 4 |
| Type of optics: RS-01 Rotosymmetric beam |
| Optical group life: $>130.000\text{h}$ @700mA @Ta25°C TM21 L80B20 $>130.000\text{h}$ @700mA @Ta25°C TM21 L80B10 |
| Photobiological safety class: EXEMPT GROUP |
| ULOR: 0% |
| DLOR: 100% |
| Light intensity category: G*6 |
| BUG rating: B1-U0-G0 |

Normative References

EN60598-1 / EN60598-2-3 / EN62471

Installation and maintenance

| |
|--|
| Installation: post top |
| Pole diameter: $\varnothing 60 - 76$ mm |
| Tilt: fastened installation |
| Fixing: 2 x AISI 304 stainless steel securing bolts |
| Wiring: Junction box IP68. The connection to the electrical backbone can be made without having to open the device |
| \varnothing power cable: $10 \div 14$ mm |
| Cable Gland: PG16 |
| Replaceable wiring plate: removable plate |
| Replaceable optical unit: each LED module is replaceable |
| Screen opening: glass holder frame opening, fall block |
| Disconnecter: automatic (with terminal section 2.5 mm^2) |

Flow adjustment

| | On request |
|---------------------------------|------------|
| Virtual Midnight Teaching | X |
| Constant flow output (CLO) | X |
| Adjusting 1-10V | X |
| DALI control | X |
| Mains voltage variation | X |
| Power line telemanagement (PLC) | X |
| Wireless remote management | X |

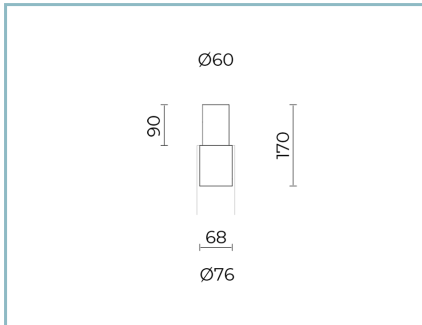
Materials

| |
|---|
| Body: die-cast aluminium alloy UNI EN AB 47100 (copper content $< 1\%$), upper dome with aluminium plate turning |
| Screen: tempered flat glass |
| Lenses: high-transparency PMMA |
| Fixing system: die-cast aluminium alloy UNI EN AB 47100 (copper content $< 1\%$) |
| Seals: expanded anti-age silicone foam |
| Screws: stainless steel AISI 304 |
| Wiring plate: zinc-plated steel |
| Finish: phospho-chromatation treated and polyester powder-coated in 16 phases to increase weather resistance |

Colors

| | |
|------------------|------------------------------|
| ■ Sablé 100 Noir | Code: 01FY3B25035CHM4 |
|------------------|------------------------------|

Complements



01AY904C0

L7 Reduction \varnothing 60-68 mm
for poles \varnothing 76 mm. Colour: Sablé 100
Noir.

NOTES

*Performance data

The values indicated in this data sheet are nominal values with a tolerance of +/-7%.

Source flux and source efficiency data refer to the LED module without optics; in case you are interested in the performance of the LED module complete with optical system, you must multiply the data reported by the factor 0.9.

General Data

The characteristics of the product listed may be subject to change and must be confirmed when ordering.

In order to promote constant updating of its products, Cariboni Group reserves the right to make changes without prior notice.